

# ACCESSORIES AND COMPONENTS

## Undercut Bolt Sets

Precision manufactured, these undercut bolts and washers virtually eliminate “bolt binding.” Bolts provide extra clearance when moving equipment horizontally across a mounted surface. Bolts are hardened grade 8, and the washers are through-hardened and plated. Kits come with a wide variety of diameters and lengths.

Reduce your down-time and increase your productivity when you achieve and maintain precision alignments faster and smarter with this new innovative design.



**Undercut Bolt Set (5/16” – 1/2” diameters and 1-1/4” to 2” lengths)**

**Item #UB200..... \$1,177.00**



**Undercut Bolt Set (9/16” – 3/4” diameters and 1-1/2” to 2-1/2” lengths)**

**Item #UB300..... \$1,900.00**

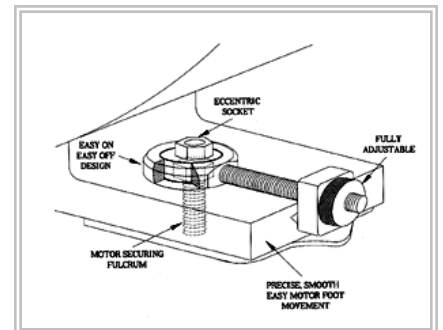
## Horizontal Movement Tool Sets

Move your equipment in the horizontal plane easily and precisely with our horizontal movement tool sets. These specialized tools work by harnessing the smooth power of an eccentric socket to turn rotary motion into controlled, precise linear movement. Choose between two kits to suit a variety of needs. See accessory detail sheet for number and type of components in each kit.



• **Starter Horizontal Alignment Set (2 — 200 HP)**  
14 Piece Horizontal Alignment Tool Set with eccentric sockets and alignment tool brackets in a convenient carrying case.

**Item #AT1104.....\$881.00**



• **Full Size Horizontal Alignment Set (2 — 300+ HP)**  
26 Piece Horizontal Alignment Tool Set with eccentric sockets and alignment tool brackets in a convenient carrying case.

**Item #AT1108.....\$1,490.00**



Call for a free quote on your specific requirements.

**Peterson Alignment Tools Co. • 1601 Jones Street • Joliet, Illinois 60435**  
**(815) 725 – 6600      chrisj@petersontools.com      www.petersontools.com**